

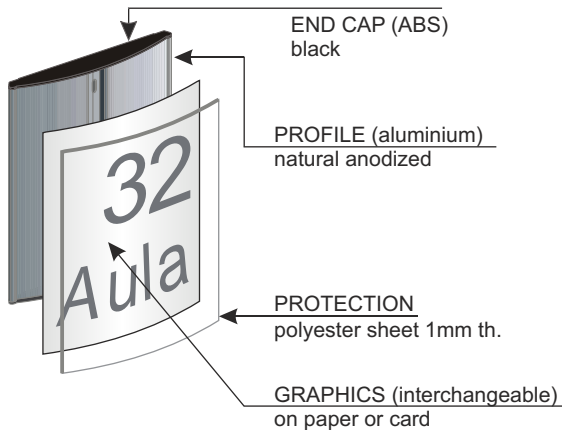


TECHNICAL CATALOGUE

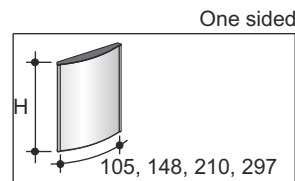
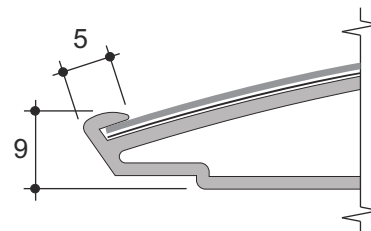
Systems & Components from



WALL sign

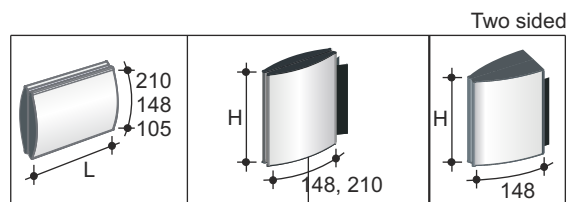
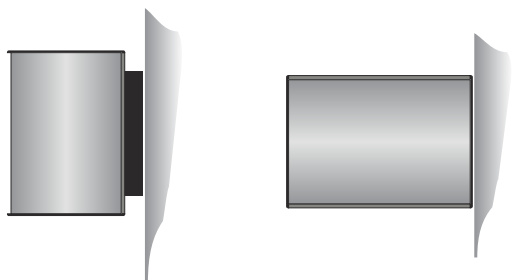


GRAPHICS (permanent)
- pre-spaced adhesive vinyl
- polychromatic digital print on vinyl

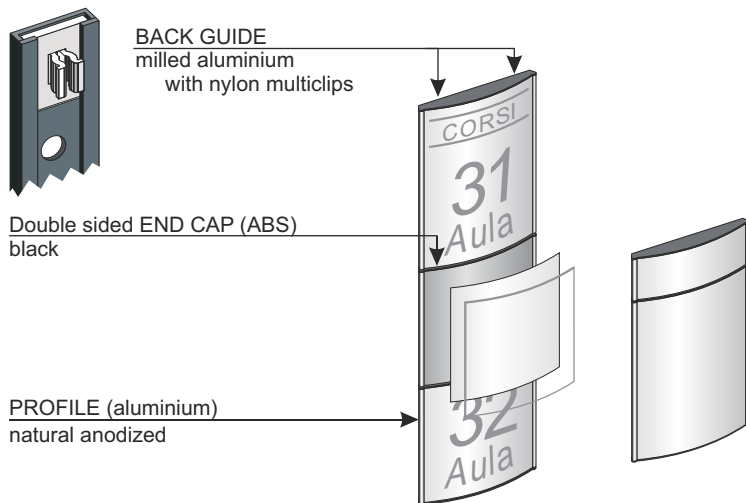


H max 2100 mm

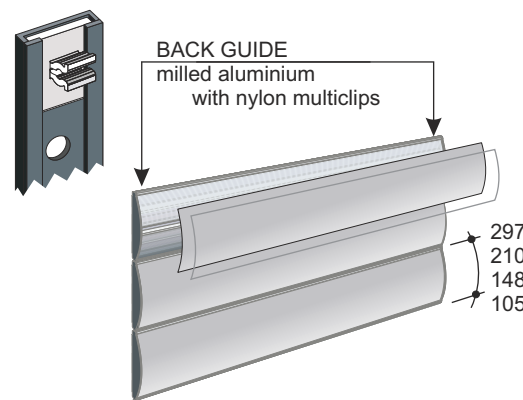
FLAG sign



VERTICAL panels



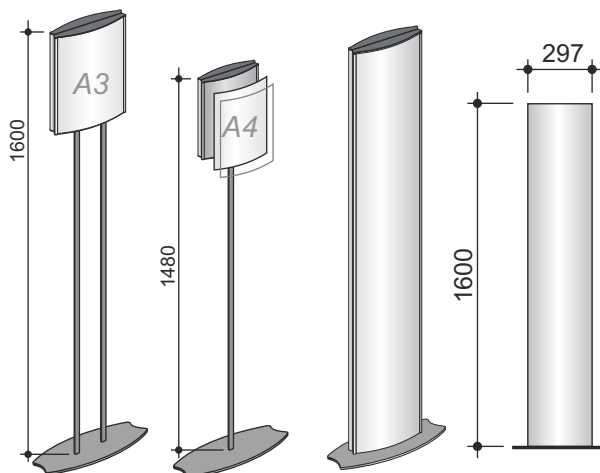
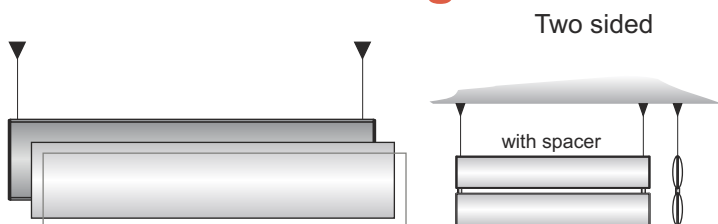
HORIZONTAL panels

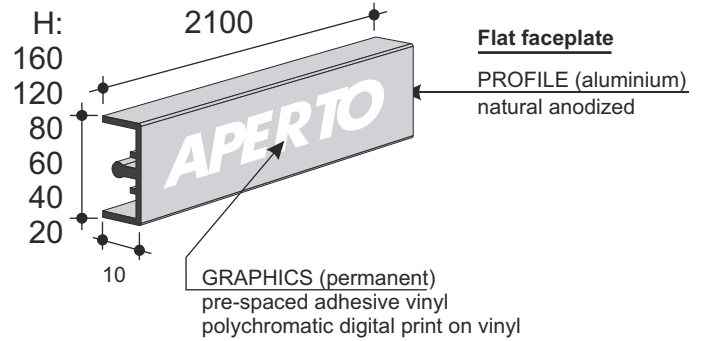
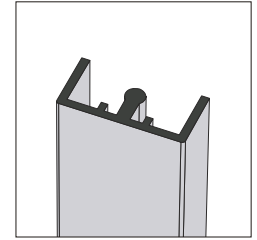
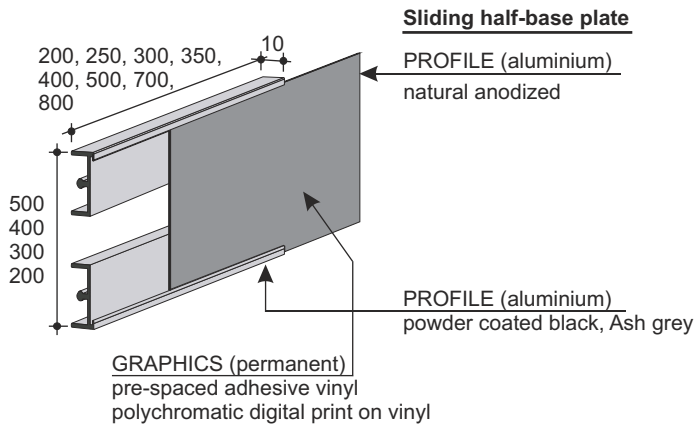


They are a combination or two or more plates click coupled to two back guides fixed onto the wall with screws and wall anchors.
If a single plate is needed it will be fixed directly onto the wall with screws

ON POST / MONOLITH

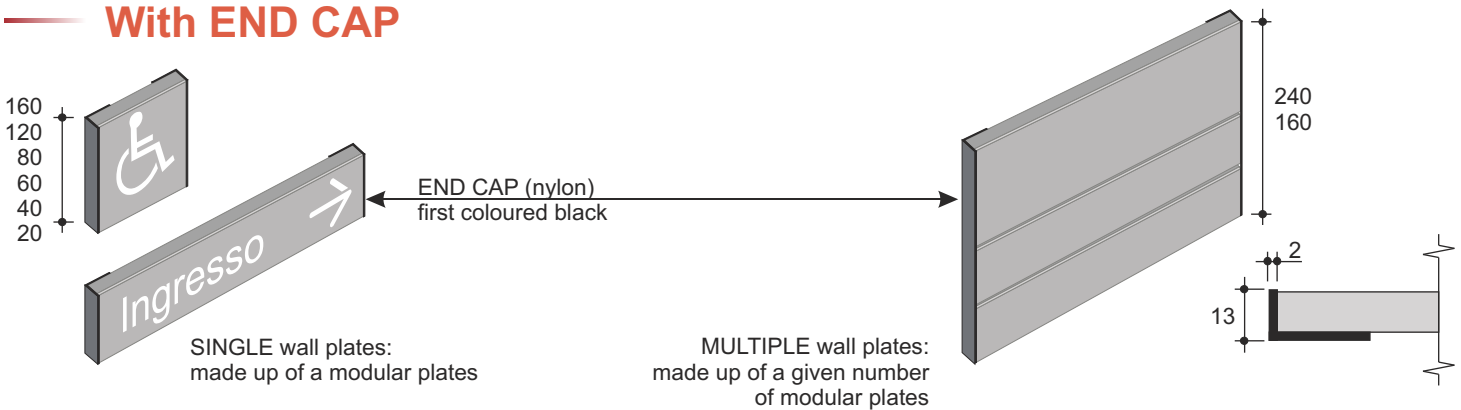
HANGING sign



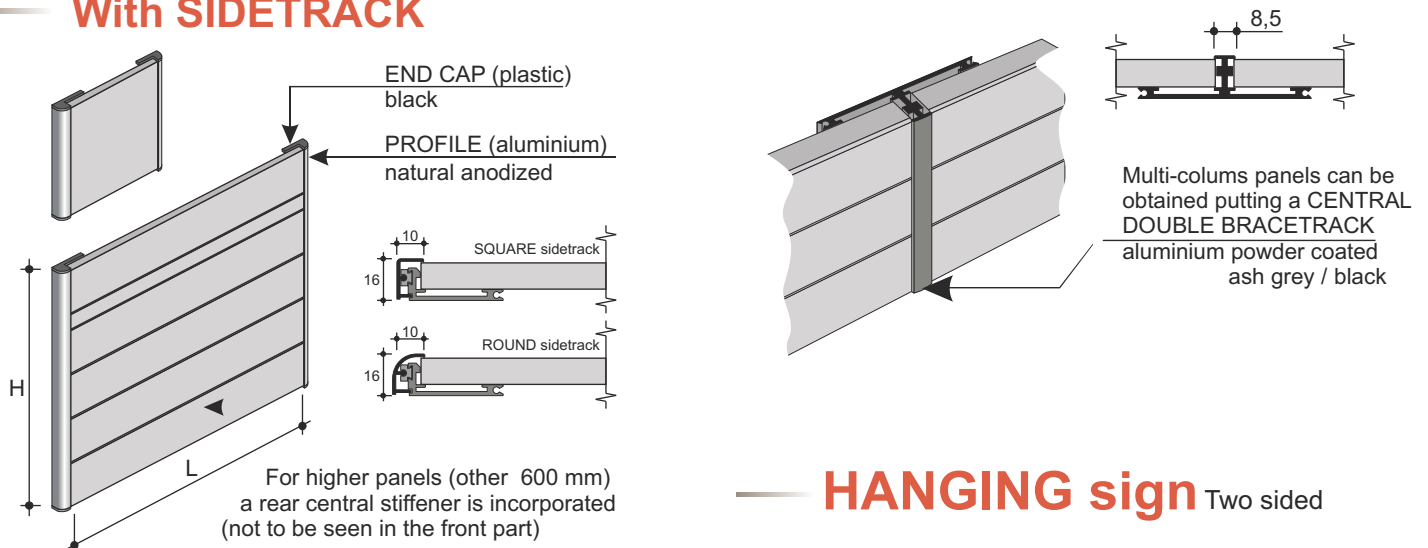


WALL sign

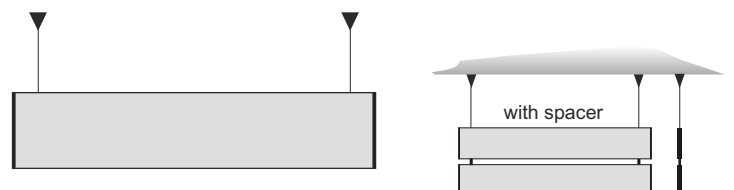
With END CAP



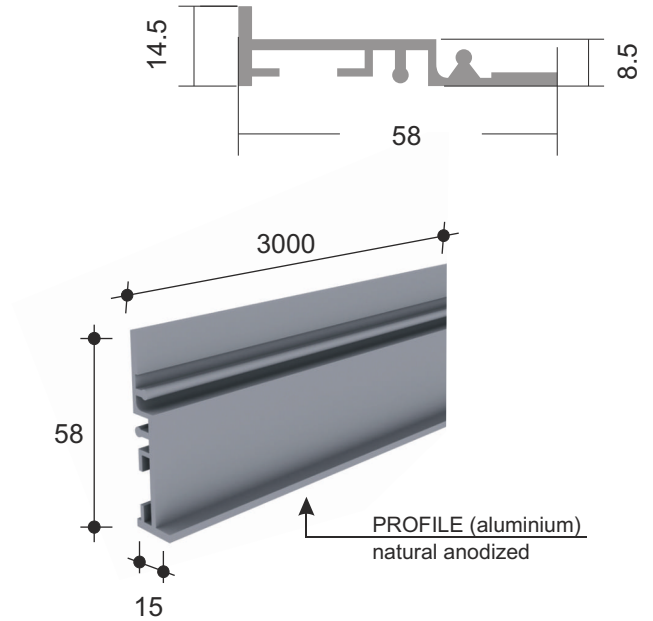
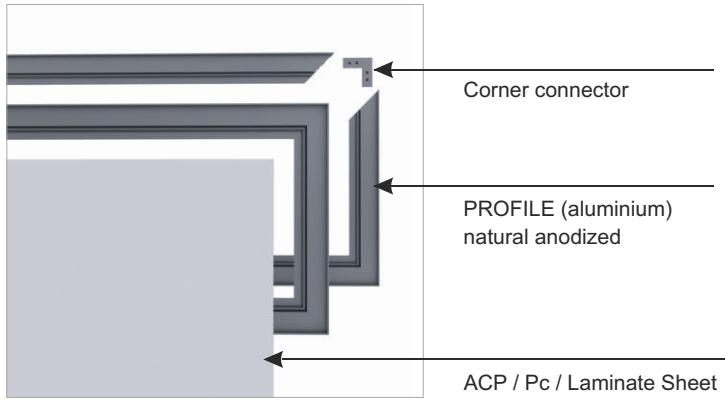
With SIDETRACK



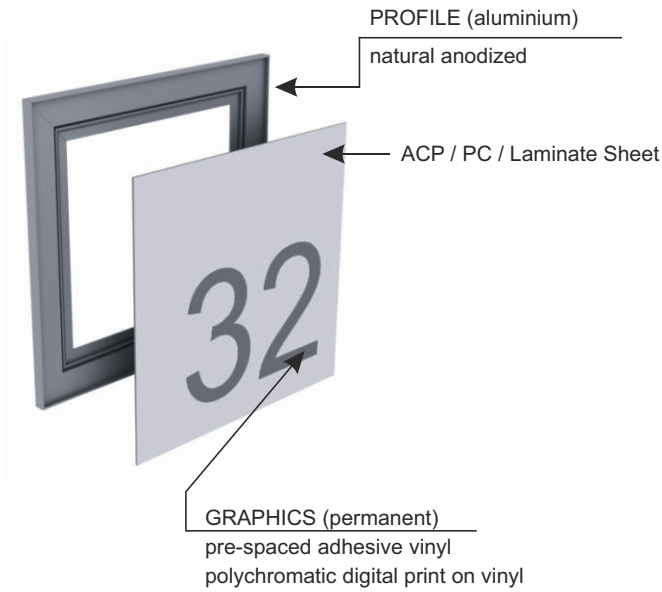
HANGING sign Two sided



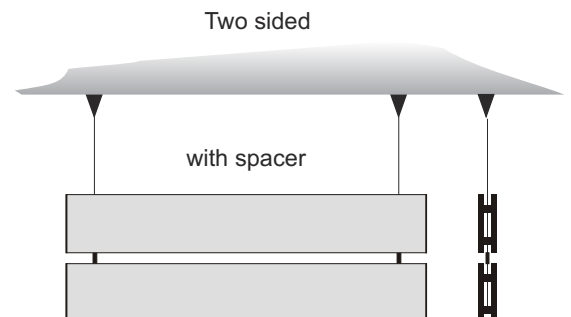
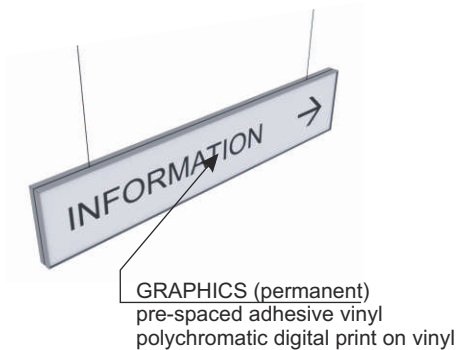
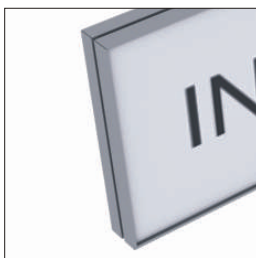
Exploded View



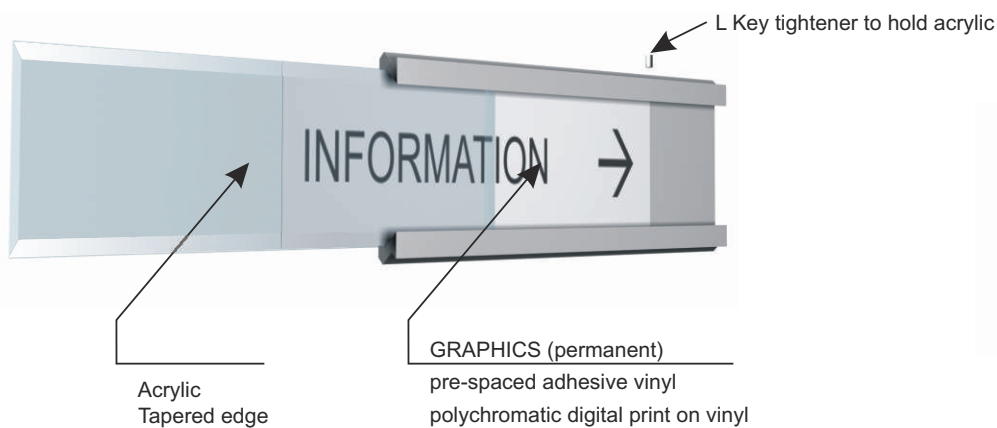
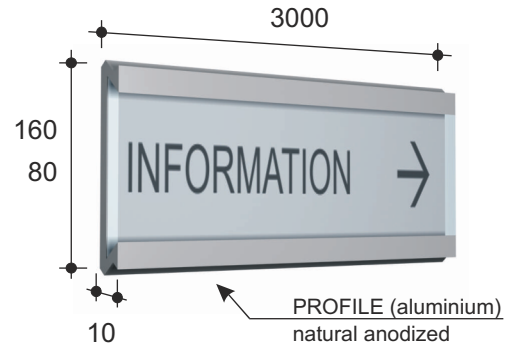
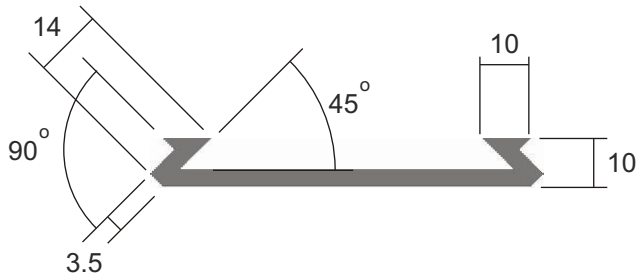
WALL sign



HANGING sign Two sided



WALL sign



INTERNA

Indoor line of modular product where graphics can be easily changed

WALL sign

